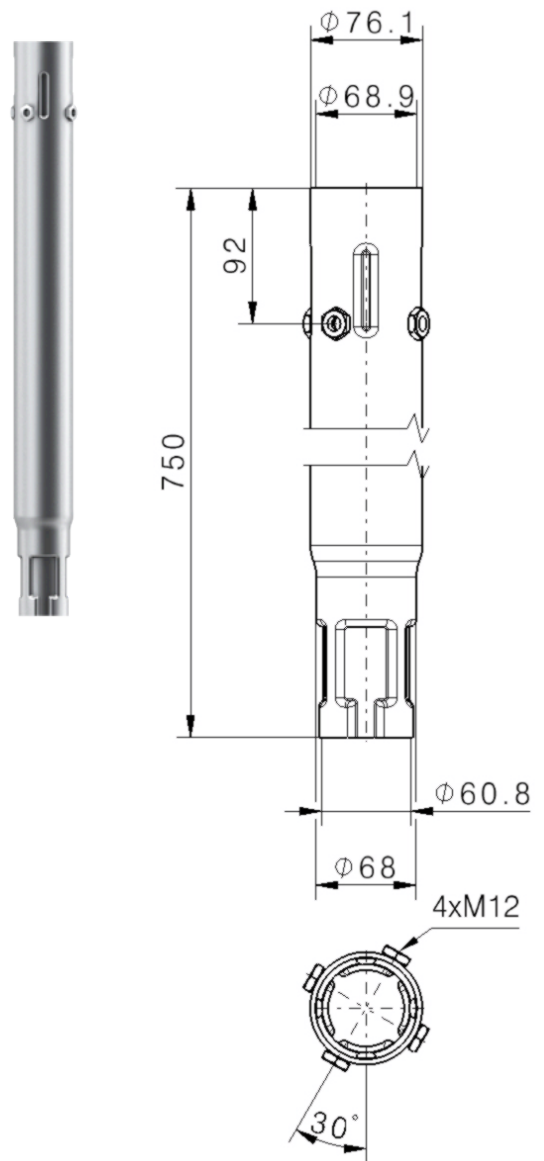


B EXTENSION 750

BASIC INFO

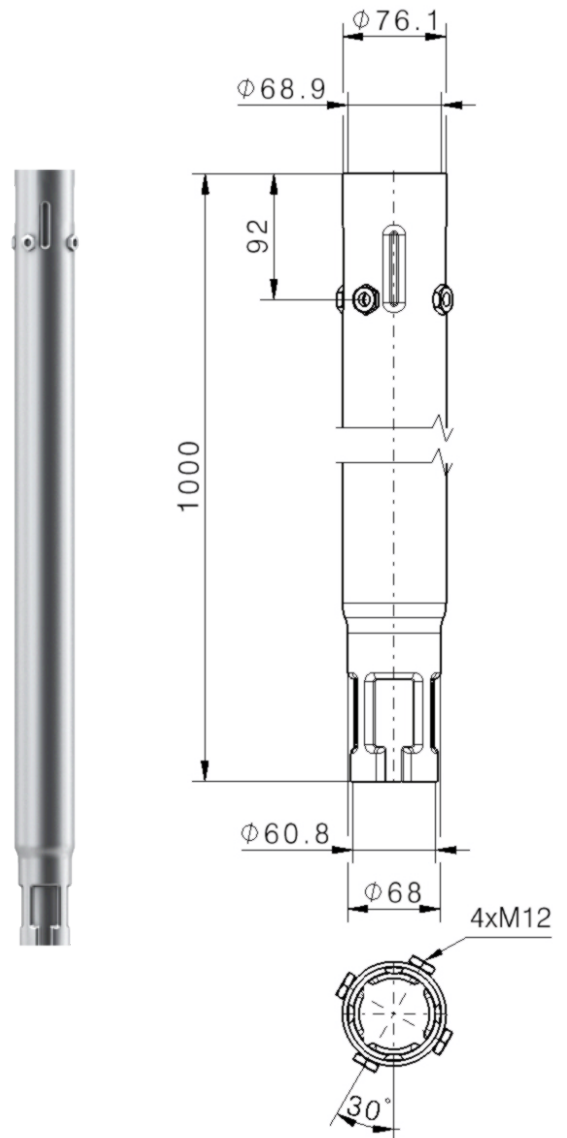
Article Number	55202
Weight	4,7 kg ^{+3% -8% tolerance}
Materials	Steel S235
Surface	Hot-dip galvanized Steel, according to DIN EN ISO 1461
Compatibility	Ground Screws / Series A Attachment / Series C



B EXTENSION 1000

BASIC INFO

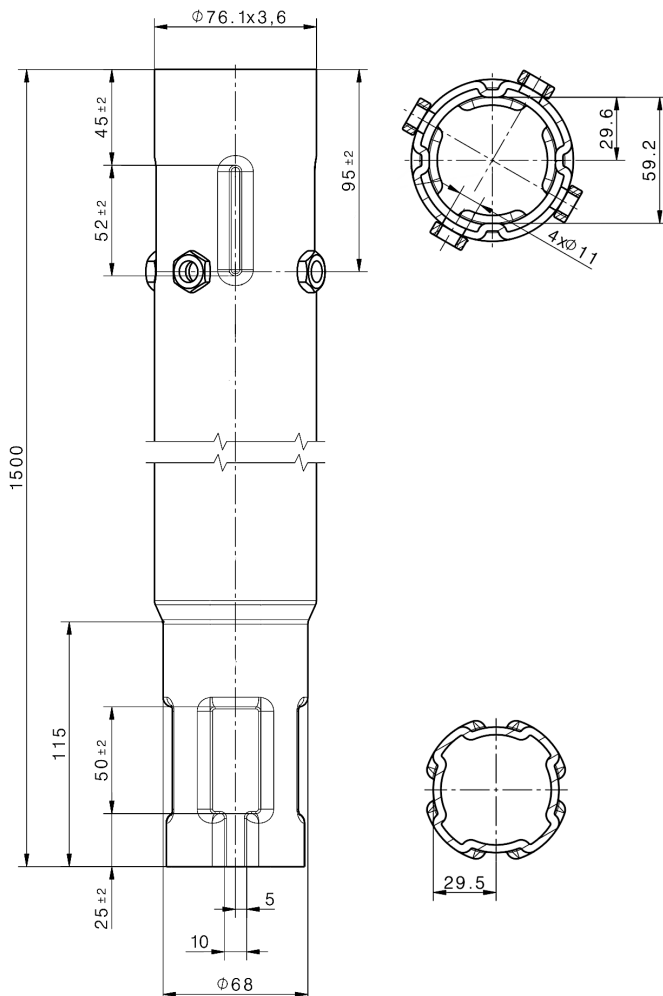
Article Number	55203
Weight	6,3 kg ^{+3%} ^{-8%} tolerance
Materials	Steel S235
Surface	Hot-dip galvanized Steel, according to DIN EN ISO 1461
Compatibility	Ground Screws / Series A Attachment / Series C



Technical data sheet

EXTENSION 76x3.6x1500

Product no.	55208
Weight	9.79kg +3% -8% tolerance
Compatible	Screws 76x3.6, tops 76x3.6
Materials	Tube 76.1x3.6x1500mm, Steel S235
Surface	Hot-dip galvanized Steel, according to DIN EN ISO 1461
Installation	Installation lafette - HULK Ground screw driver machine DINO, MAZAKA Drilling head - PLATE PROFI 89



Technical data sheet

EXTENSION 76x3.6x2000

Product no.	55209
Weight	13.04 kg +3% -8% tolerance
Compatible	Screws 76x3.6, tops 76x3.6
Materials	Tube 76.1x3.6x1500mm, Steel S235
Surface	Hot-dip galvanized Steel, according to DIN EN ISO 1461
Installation	Installation lafette - HULK Ground screw driver machine DINO, MAZAKA Drilling head - PLATE PROFI 76

