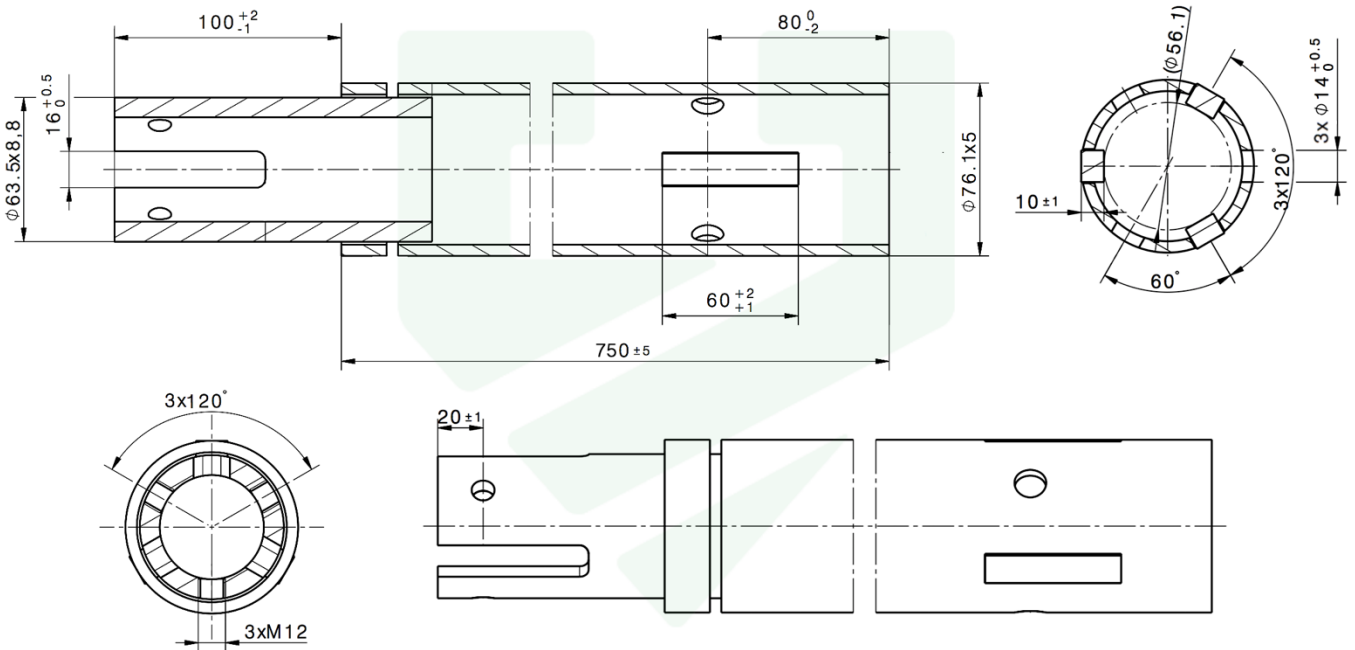


Technical data sheet

PRM EXTENSION 76x5x750

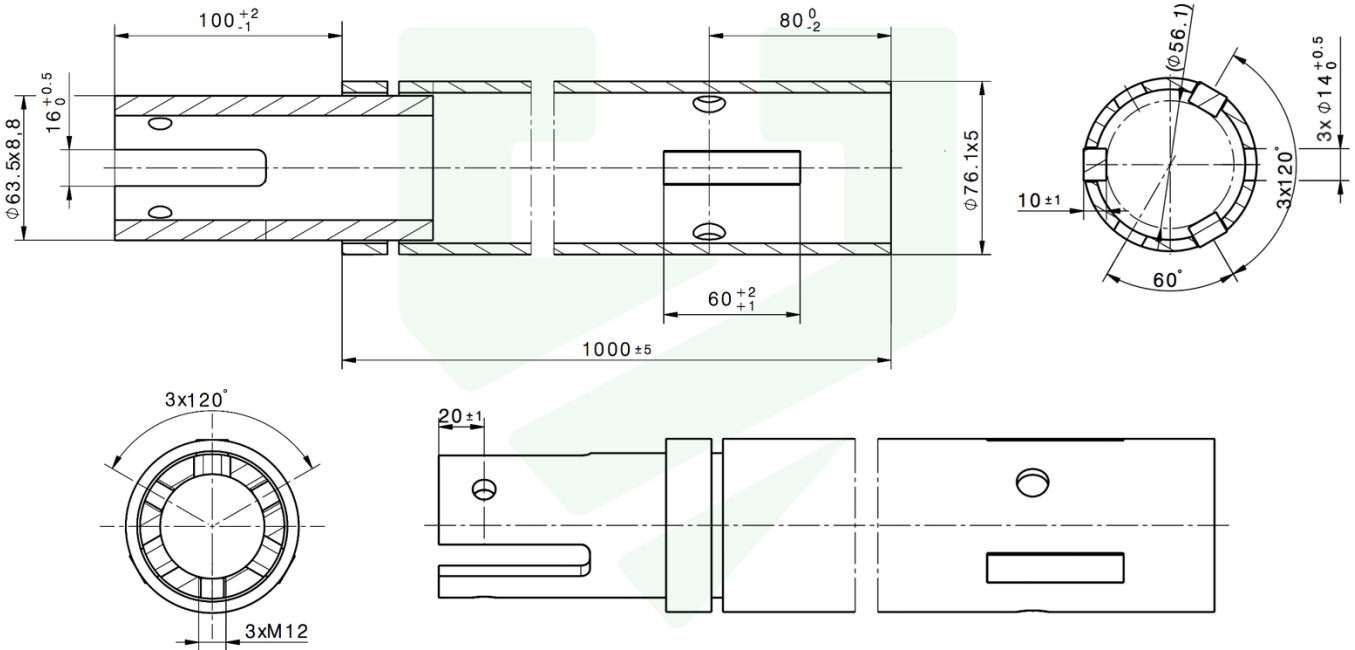
Product no.	57202
Weight	8,26kg +3% -8% tolerance
Compatible	Screws 76x5, tops 76x5 3x bolt DIN 7380 M12 12x20 for connection
Materials	Steel S235
Surface	Hot-dip galvanized Steel, according to DIN EN ISO 1461
Installation	Installation lafette HULK Ground screw driver machine DINO, MAZAKA



Technical data sheet

PRM EXTENSION 76x5x1000

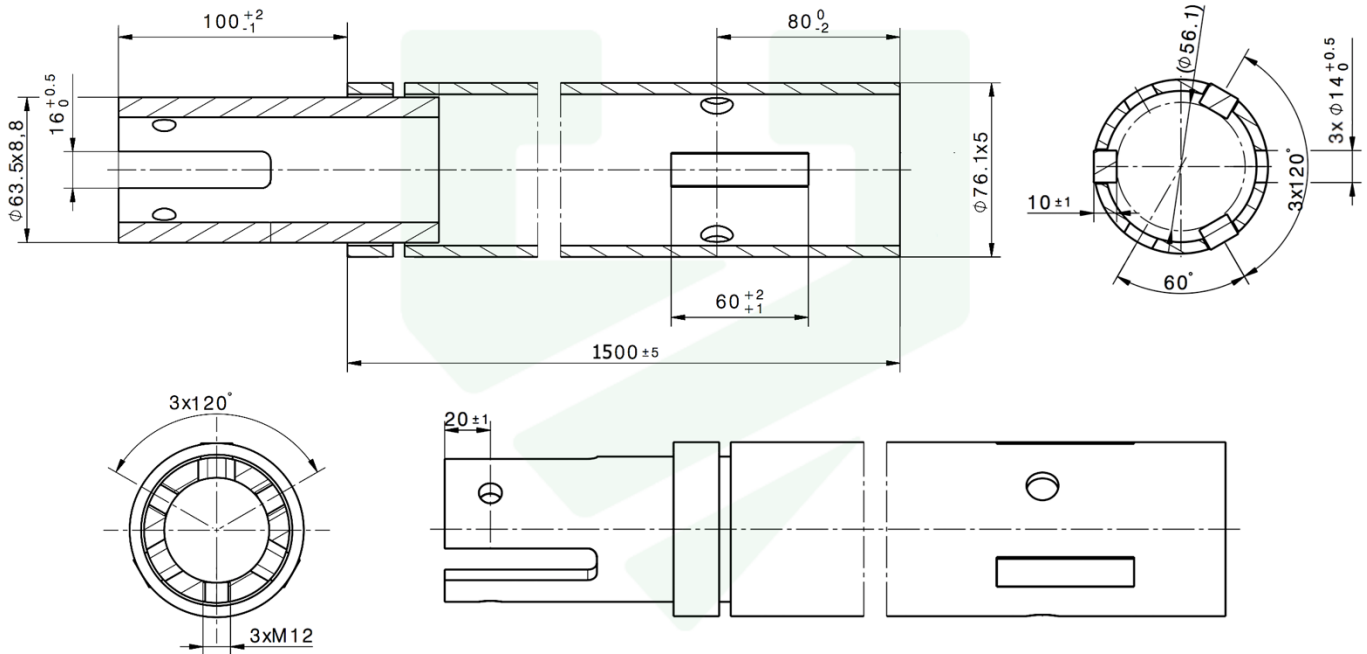
Product no.	57203
Weight	10,50kg +3% -8% tolerance
Compatible	Screws 76x5, tops 76x5 3x bolt DIN 7380 M12 12x20 for connection
Materials	Steel S235
Surface	Hot-dip galvanized Steel, according to DIN EN ISO 1461
Installation	Installation lafette - HULK Ground screw driver machine DINO, MAZAKA



Technical data sheet

PRM EXTENSION 76x5x1500

Product no.	57204
Weight	14,80 kg +3% -8% tolerance
Compatible	Screws 76x5, tops 76x5 3x bolt DIN 7380 M12 12x20 for connection
Materials	Steel S235
Surface	Hot-dip galvanized Steel, according to DIN EN ISO 1461
Installation	Installation lafette - HULK Ground screw driver machine DINO, MAZAKA



Technical data sheet

PRM EXTENSION 76x5x2000

Product no.	57205
Weight	19,20 kg +3% -8% tolerance
Compatible	Screws 76x5, tops 76x5 3x bolt DIN 7380 M12 12x20 for connection
Materials	Steel S235
Surface	Hot-dip galvanized Steel, according to DIN EN ISO 1461
Installation	Installation lafette - HULK Ground screw driver machine DINO, MAZAKA

