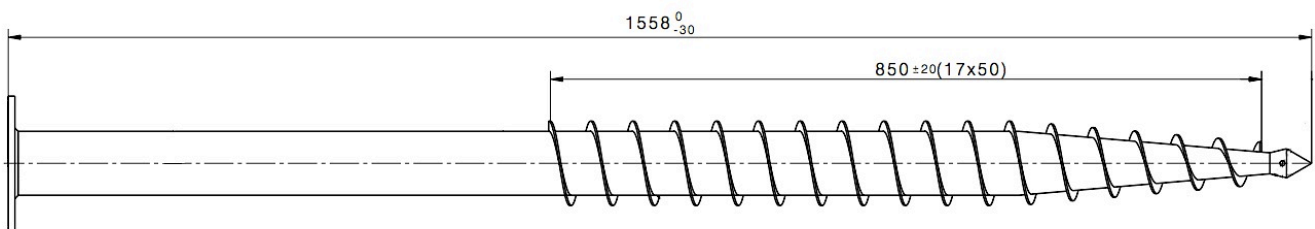
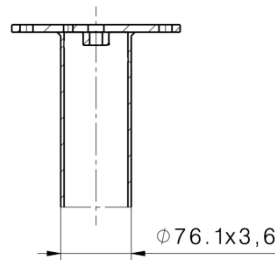
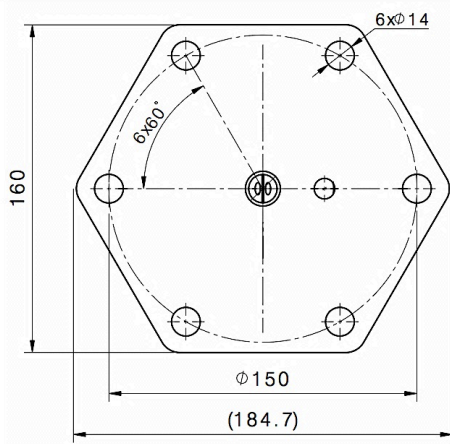
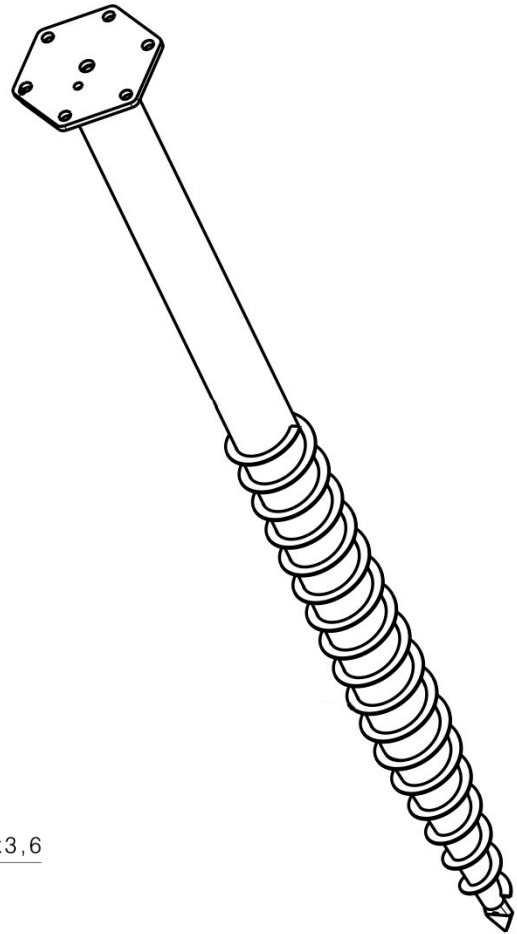


**F**

# SCREW HEX-160 M16 76x1550

## BASIC INFO

Article No.	56214
Weight	11,95 kg <sup>+3%</sup> -8% tolerance
Materials	Tube 76 x 3,6 x 1500 mm Flange 8 x 160 x 184,7 Steel S235
Surface	Hot-dip galvanized Steel, according to DIN EN ISO 1461
Installation	INSTALLATION MAST – HULK + drilling head PLATE MULTI  PILE DRIVER MACHINE – DINO + drilling head PLATE MULTI
Intended Use	Lumber, board, batten fixing
Anchoring	1 x screw M16

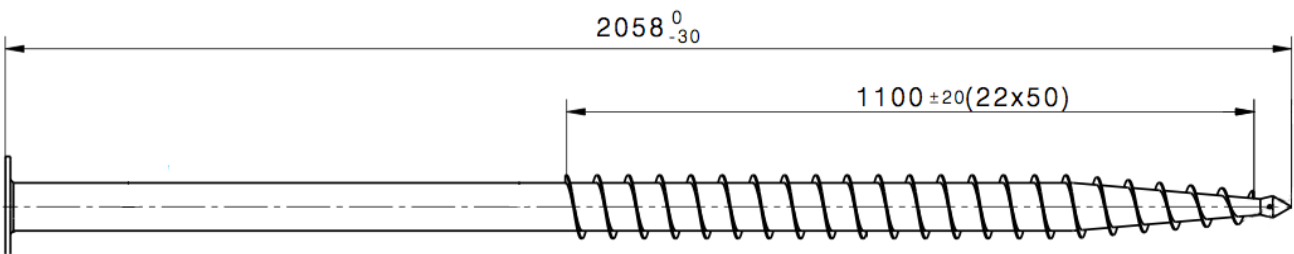
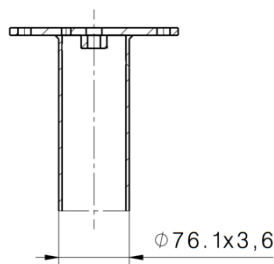
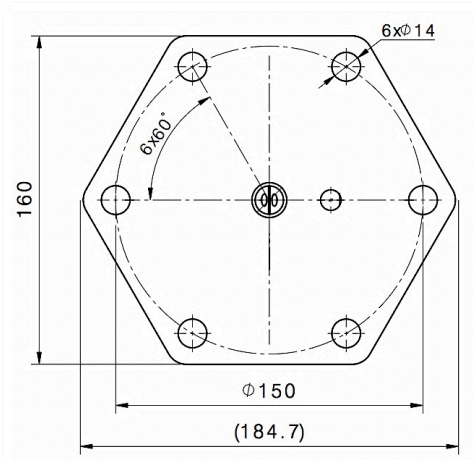
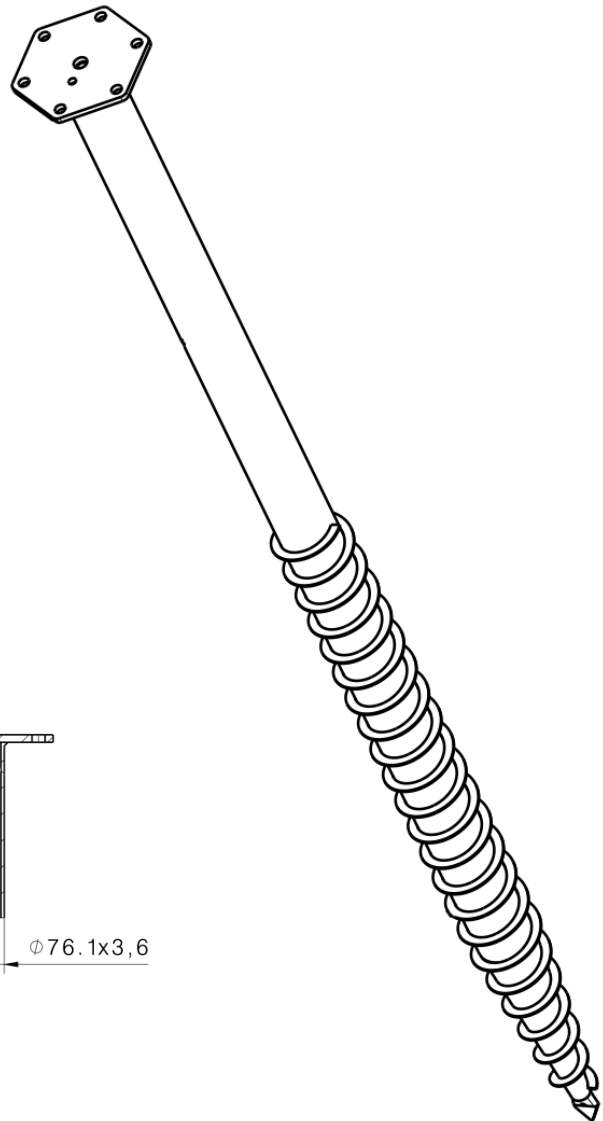


**F**

# SCREW HEX-160 M16 76x2050

## BASIC INFO

Article No.	56215
Weight	15,5 kg <sup>+3%</sup> <sup>-8%</sup> tolerance
Materials	Tube 76 x 3,6 x 2000 mm Flange 8 x 160 x 184,7 Steel S235
Surface	Hot-dip galvanized Steel, according to DIN EN ISO 1461
Installation	INSTALLATION MAST – HULK + drilling head PLATE MULTI  PILE DRIVER MACHINE – DINO + drilling head PLATE MULTI
Intended Use	Lumber, board, batten fixing
Anchoring	1 x screw M16



**F**

# SCREW HEX-160 M16 89x2050

**BASIC INFO**

Article No.	56225
Weight	17,85 kg <sup>+3%</sup> -8% tolerance
Materials	Tube 89 x 3,6 x 2000 mm Flange 8 x 160 x 184,7 Steel S235
Surface	Hot-dip galvanized Steel, according to DIN EN ISO 1461
Installation	INSTALLATION MAST – HULK + drilling head PLATE MULTI  PILE DRIVER MACHINE – DINO + drilling head PLATE MULTI
Intended Use	Lumber, board, batten fixing
Anchoring	1 x screw M16

