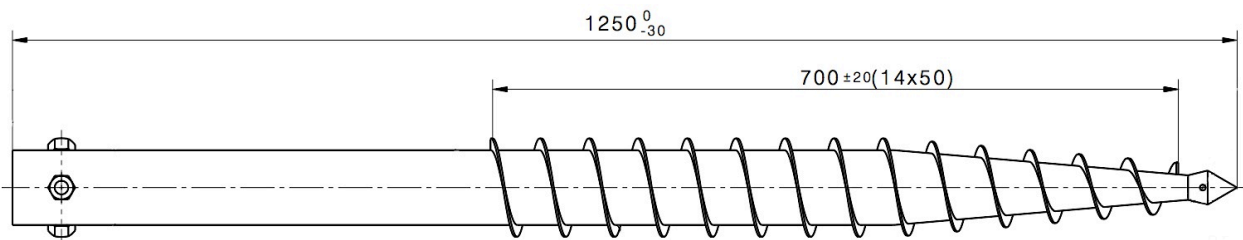
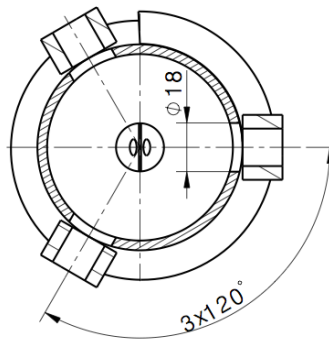
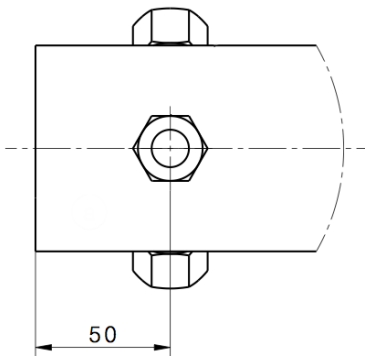
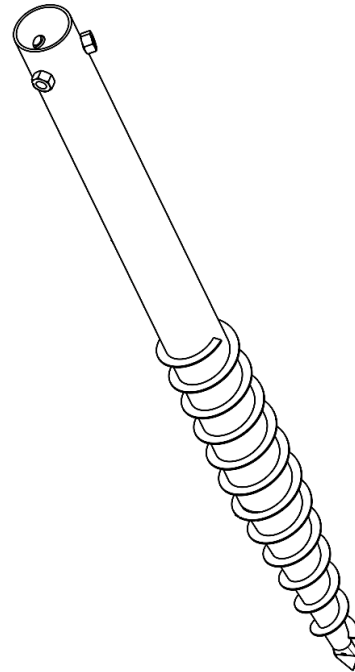


F

SCREW NUT-3 M16 76x1250

BASIC INFO

Article No.	56113
Weight	8,5 kg ^{+3% -8% tolerance}
Materials	Tube 76,1 x 3,6 x 1200 mm Steel S235 Nuts 3x M16 DIN934
Surface	Hot-dip galvanized Steel, according to DIN EN ISO 1461
Installation	GEARBOX SET 1:150 + drilling head HEX NUT-3
	INSTALLATION MAST – HULK + drilling head PLATE NUT-3
	PILE DRIVER MACHINE – DINO + drilling head PLATE NUT-3
Intended Use	Pipe fixing, pole fixing
Anchoring	3x screw M16

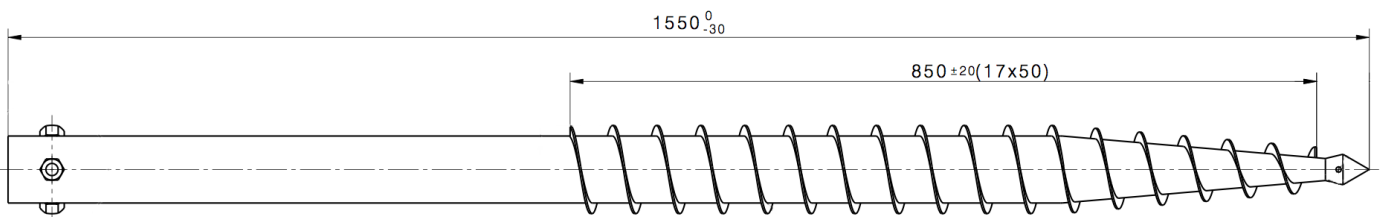
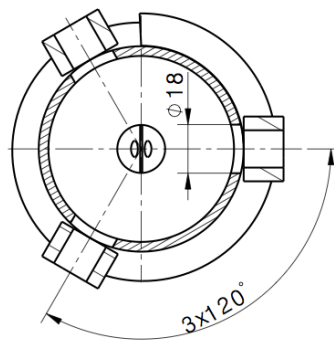
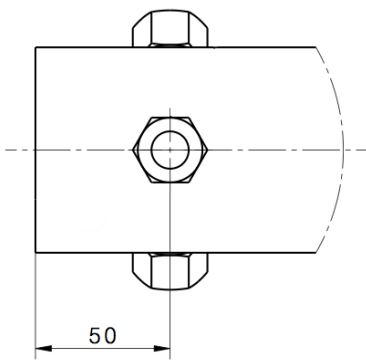
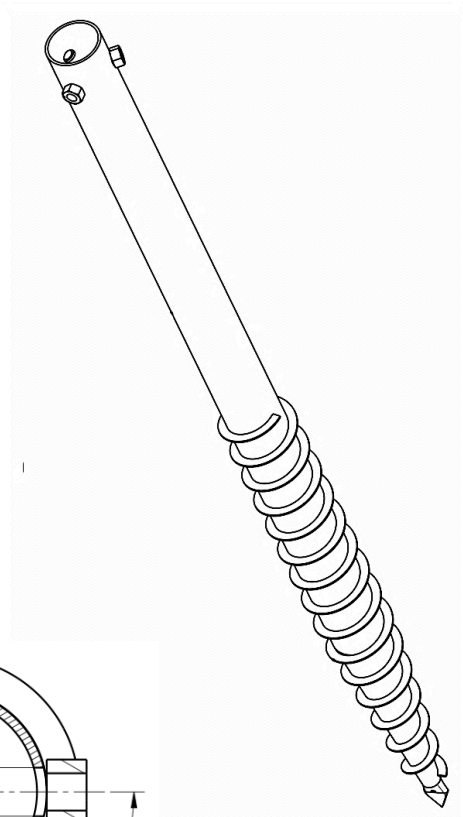


F

SCREW NUT-3 M16 76x1550

BASIC INFO

Article No.	56114
Weight	10,6 kg ^{+3%} -8% tolerance
Materials	Tube 76,1 x 3,6 x 1500 mm Steel S235 Nuts 3x M16 DIN934
Surface	Hot-dip galvanized Steel, according to DIN EN ISO 1461
Installation	INSTALLATION MAST – HULK + drilling head PLATE NUT-3 PILE DRIVER MACHINE – DINO + drilling head PLATE NUT-3
Intended Use	Pipe fixing, pole fixing
Anchoring	3x screws M16



F

SCREW NUT-3 M16 76x2050

BASIC INFO

Article No.	56115
Weight	14,1 kg ^{+3%} ^{-8%} tolerance
Materials	Tube 76,1 x 3,6 x 2000 mm Steel S235 Nuts 3x M16 DIN934
Surface	Hot-dip galvanized Steel, according to DIN EN ISO 1461
Installation	INSTALLATION MAST – HULK + drilling head PLATE NUT-3 PILE DRIVER MACHINE – DINO + drilling head PLATE NUT-3
Intended Use	Pipe fixing
Anchoring	3x screw M16

