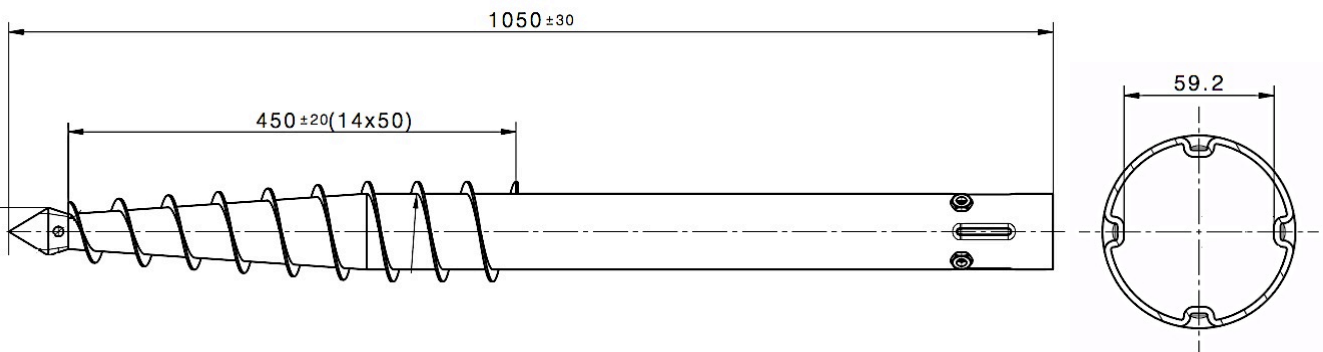
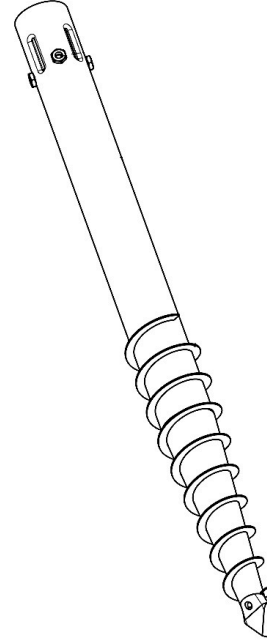


A SCREW TIP 1050

BASIC INFO

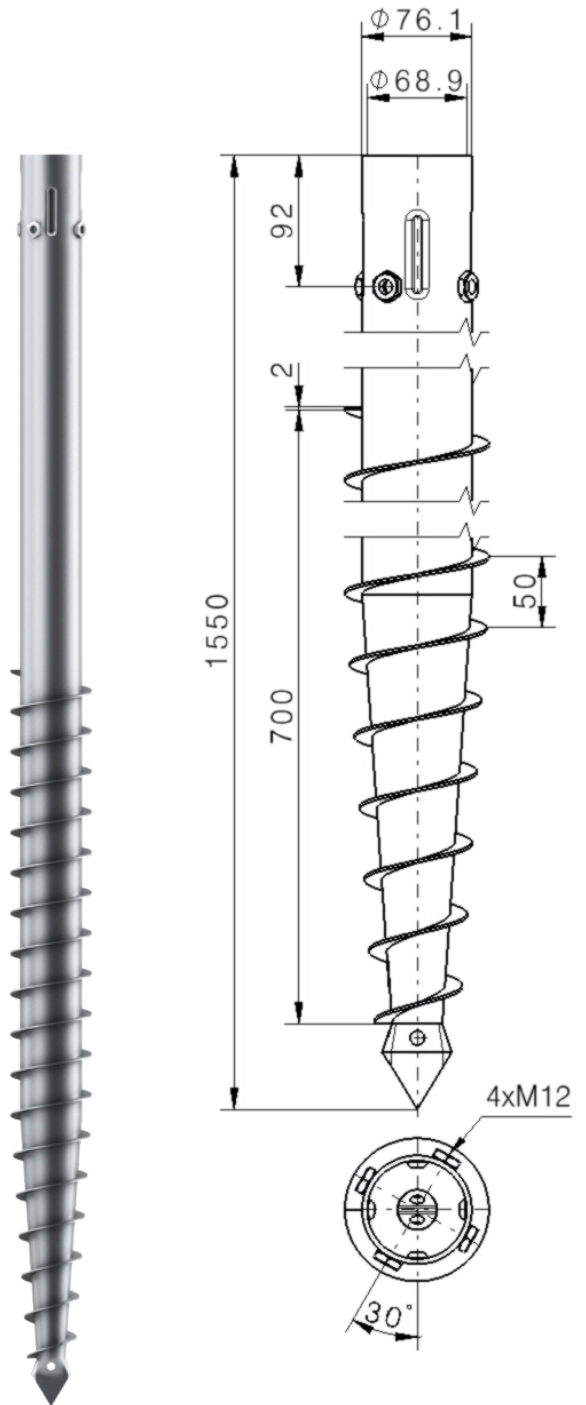
Article Number	55100
Weight	5,30 kg ^{+3% -8% tolerance}
Materials	Steel S235
Surface	Hot-dip galvanized Steel, according to DIN EN ISO 1461
Installation	GEARBOX SET 1:150 + drilling head HEX PROFI INSTALLATION MAST – HULK + drilling head PLATE PROFI PILE DRIVER MACHINE – DINO + drilling head PLATE PROFI
Compatibility	Extension / Series B Attachment / Series C



A SCREW TIP 1550

BASIC INFO

Article Number	55102
Weight	10 kg ^{+3% -8% tolerance}
Materials	Steel S235
Surface	Hot-dip galvanized Steel, according to DIN EN ISO 1461
Installation	INSTALLATION MAST – HULK + drilling head PLATE PROFI PILE DRIVER MACHINE – DINO + drilling head PLATE PROFI
Compatibility	Extension / Series B Attachment / Series C



A SCREW TIP 2050

BASIC INFO

Article Number	55103
Weight	13,4 kg ^{+3% -8% tolerance}
Materials	Steel S235
Surface	Hot-dip galvanized Steel, according to DIN EN ISO 1461
Installation	INSTALLATION MAST – HULK + drilling head PLATE PROFI PILE DRIVER MACHINE – DINO + drilling head PLATE PROFI
Compatibility	Extension / Series B Attachment / Series C

