

Technical data sheet

SCREW HEX-120 M12 76x2,6x800

Product no. 53115 (old 56211)

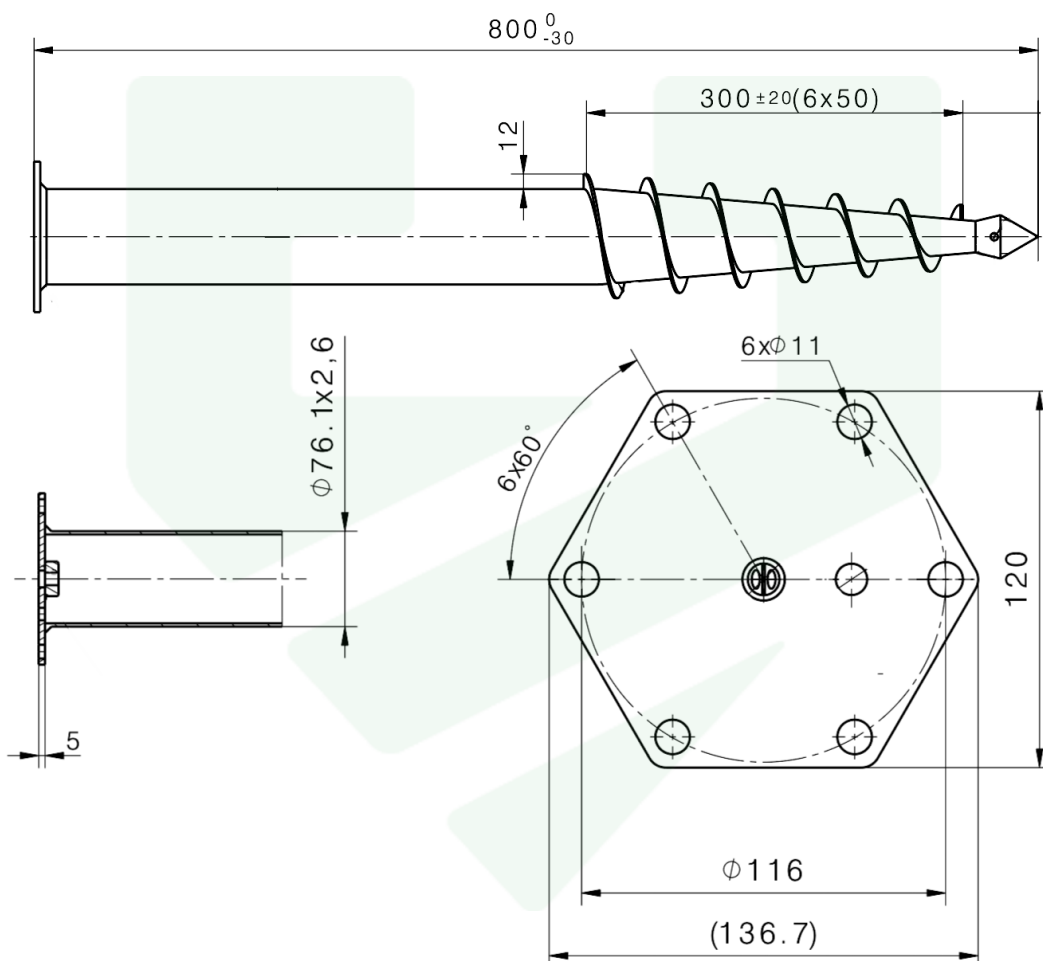
Weight 4,2 kg ^{+3%} -8% tolerance

Compatible Bolt M12

Materials Steel S235

Surface Hot-dip galvanized Steel, according to DIN EN ISO 1461

Installation 59114 Installation spanner HEX + 59313 drilling head HEX MULTI
Gearbox set 1:150 telescopic bar + 59313 drilling head HEX MULTI
Ground screw driver machine DINO, MAZAKA



Technical data sheet

SCREW HEX-120 M12 76x2,6x1050

Product no.	53116 (old 56212)
Weight	5,6 kg +3% -8% tolerance
Compatible	Bolt M12
Materials	Steel S235
Surface	Hot-dip galvanized Steel, according to DIN EN ISO 1461
Installation	59114 Installation spanner HEX + 59313 drilling head HEX MULTI Gearbox set 1:150 telescopic bar + 59313 drilling head HEX MULTI Ground screw driver machine DINO, MAZAKA

