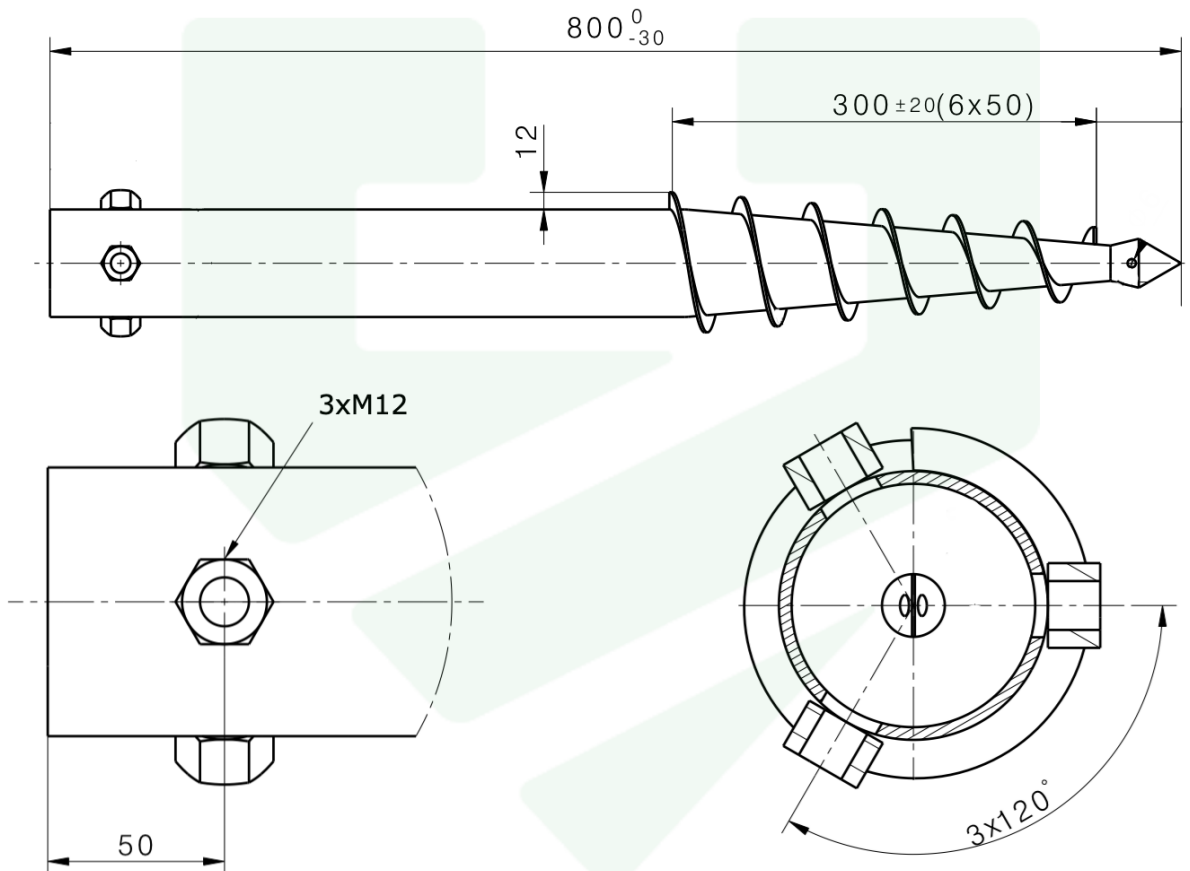


Technical data sheet

# SCREW NUT-3 M12 76x2,6x800

Product no.	53111
Weight	4,15 kg <sup>+3%</sup> <sup>-8%</sup> tolerance
Compatible	Bolt M12
Materials	Steel S235
Surface	Hot-dip galvanized Steel, according to DIN EN ISO 1461
Installation	59114 Installation spanner HEX + 59314 drilling head HEX NUT-3 Gearbox set 1:150 telescopic bar + 59314 drilling head HEX NUT-3 Ground screw driver machine DINO, MAZAKA



Technical data sheet

# SCREW NUT-3 M12 76x2,6x1050

Product no.	53113
Weight	5,4 kg <sup>+3%</sup> -8% tolerance
Compatible	Bolt M12
Materials	Steel S235
Surface	Hot-dip galvanized Steel, according to DIN EN ISO 1461
Installation	59114 Installation spanner HEX + 59314 drilling head HEX NUT-3 Gearbox set 1:150 telescopic bar + 59314 drilling head HEX NUT-3 Ground screw driver machine DINO, MAZAKA

