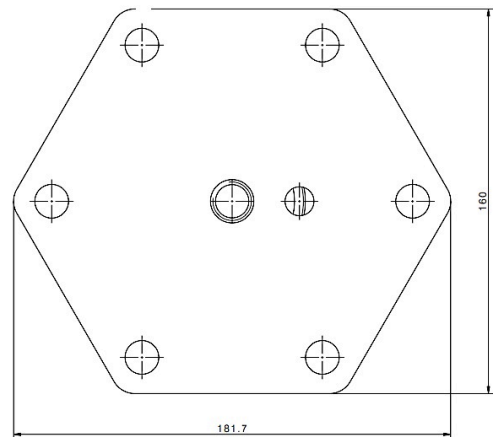
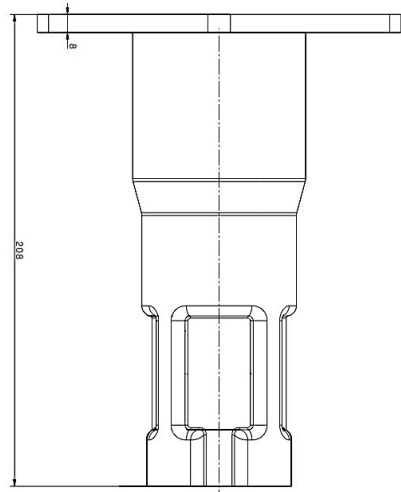
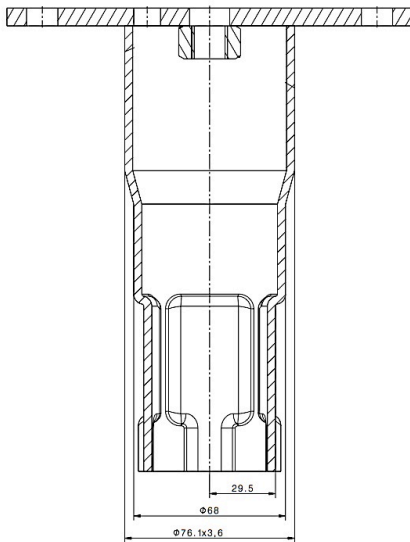
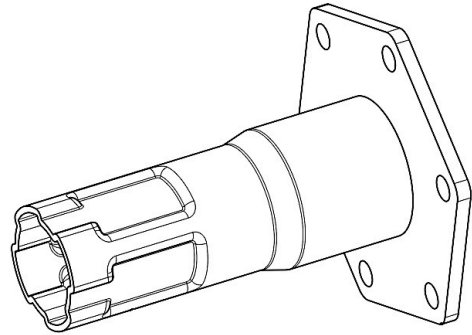


**C**

# HEX TOP M16

## BASIC INFO

Article Number	55301
Weight	3,38 kg <sup>+3% -8% tolerance</sup>
Materials	Steel S235
Surface	Hot-dip galvanized Steel, according to DIN EN ISO 1461
Compatibility	Ground Screws / Series A Extensions / Series B Attachment / Series C+
Note	possibility different nut on request

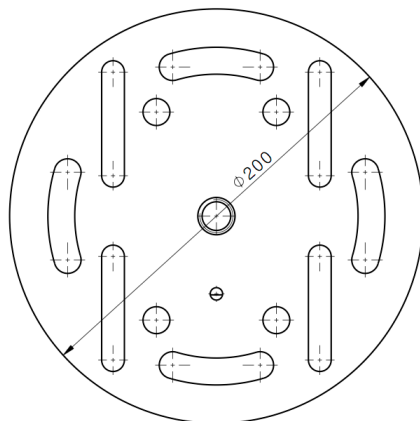
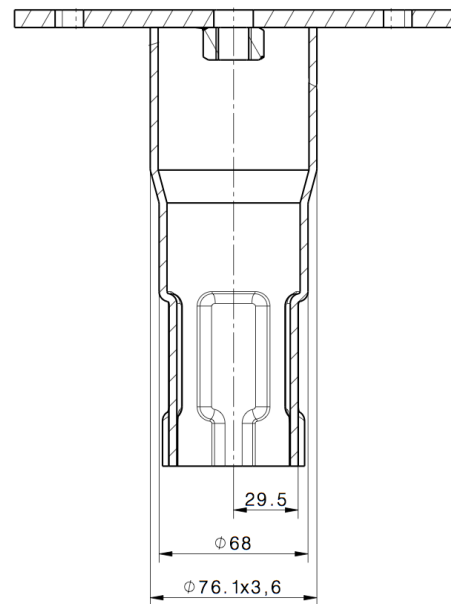
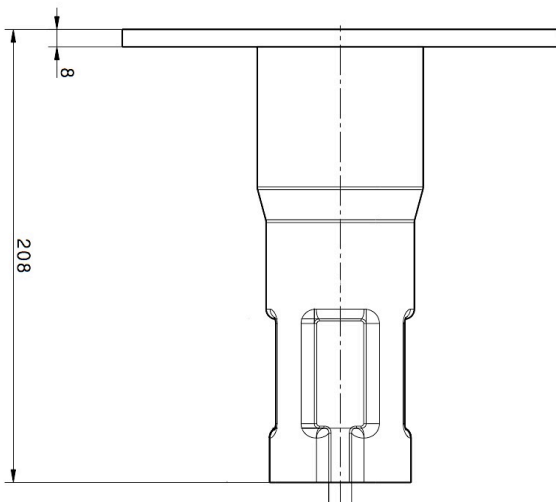
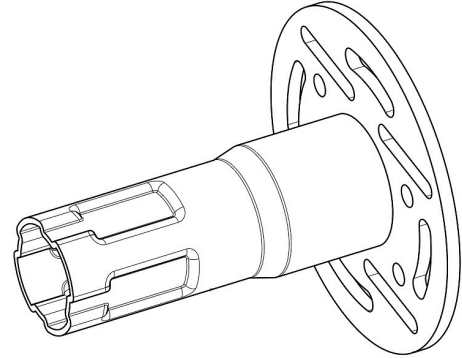


**C**

# ROUND TOP M16

## BASIC INFO

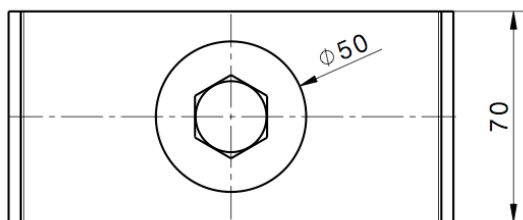
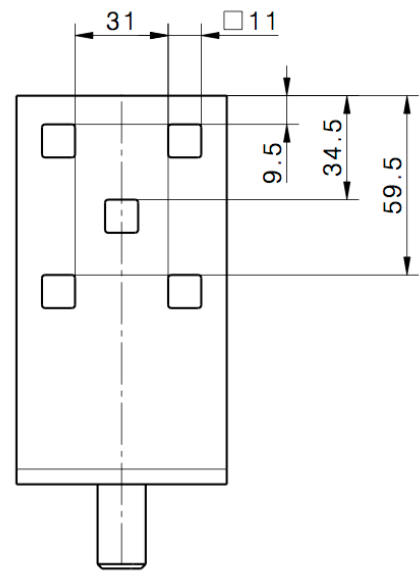
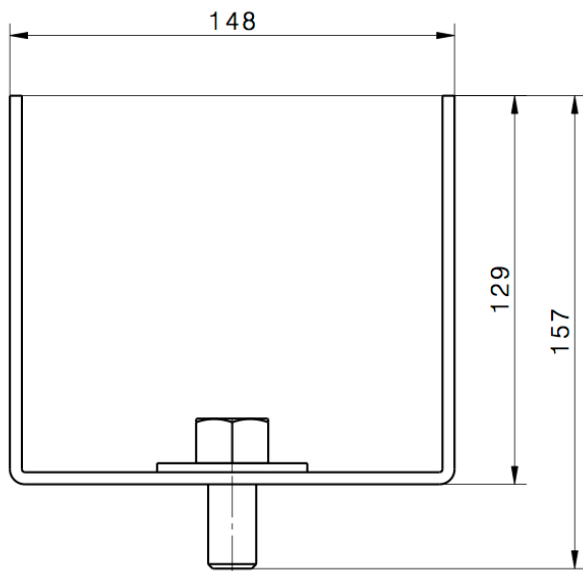
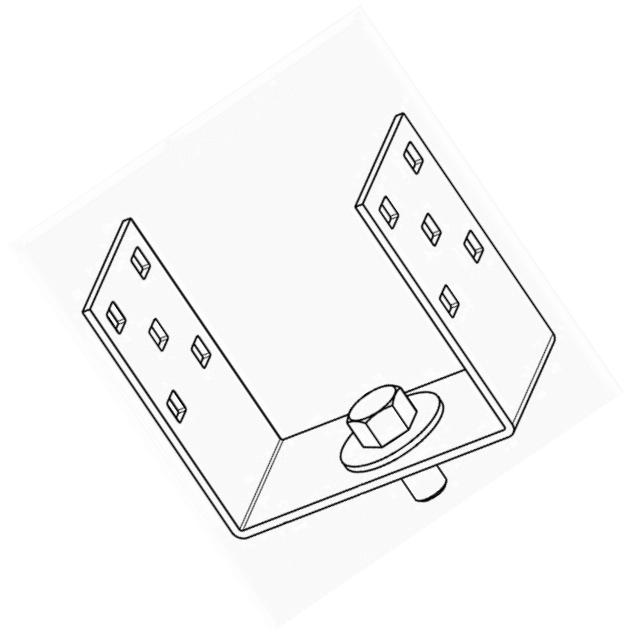
Article Number	55303
Weight	2,92 kg <sup>+3% -8% tolerance</sup>
Materials	Steel S235
Surface	Hot-dip galvanized Steel, according to DIN EN ISO 1461
Compatibility	Ground Screws / Series A Extensions / Series B Attachment / Series C+
Note	possibility different nut on request



# C<sup>+</sup> U 140 TOP

**BASIC INFO**

Article Number	55401
Weight	0,97 kg <sup>+3% -8% tolerance</sup>
Materials	Steel S235
Surface	Hot-dip galvanized Steel, according to DIN EN ISO 1461
Compatibility	55301 HEX TOP M16 Nut





BASIC INFO

Article Number	55402
Weight	10,4 kg <sup>+3% -8% tolerance</sup>
Materials	Steel S235
Surface	Hot-dip galvanized Steel, according to DIN EN ISO 1461
Compatibility	Screws A, Extensions B

