

TECHNICAL DATA SHEET

57202 PRM EXTENSION 76x5x750

Product no. 57202

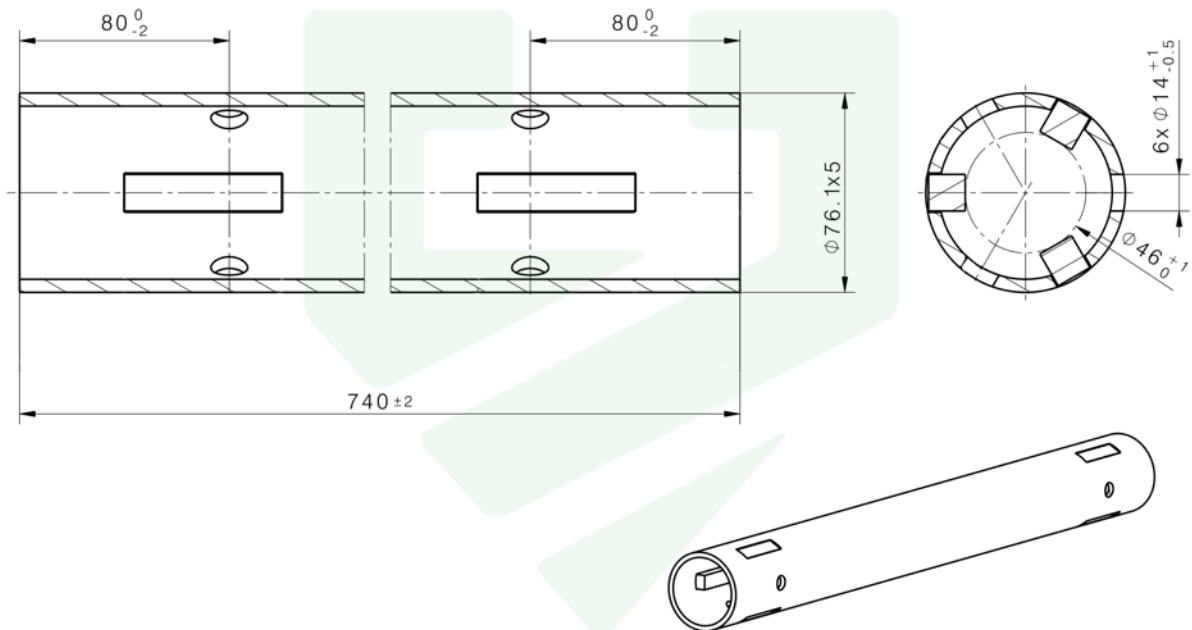
Weight 6,9 kg ^{+3%} _{-8%} tolerance

Compatible SCREWS 76x5 + 57500 PRM COUPLING + 6x BOLTS DIN 7380 M12
TOPS 76x5 + 3x BOLTS DIN 7380 M12

Materials Steel S235

Surface Hot-dip galvanized Steel, according to DIN EN ISO 1461

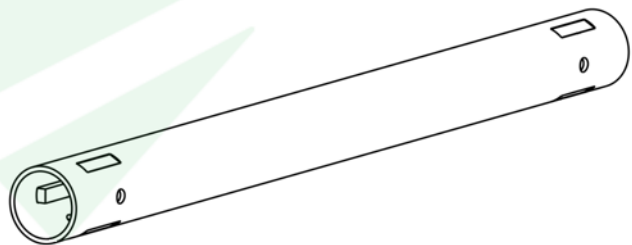
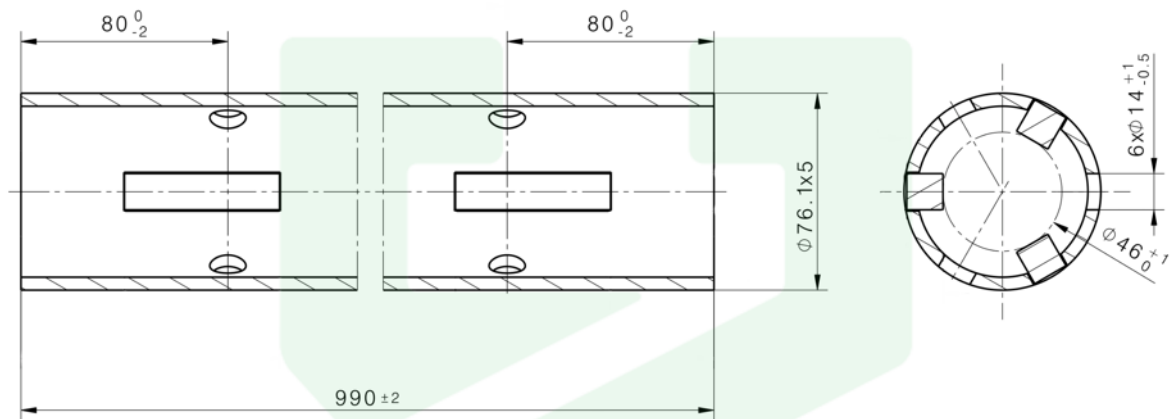
Installation Ground screw installation mast, ground screw driver machine



TECHNICAL DATA SHEET

57203 PRM EXTENSION 76x5x1000

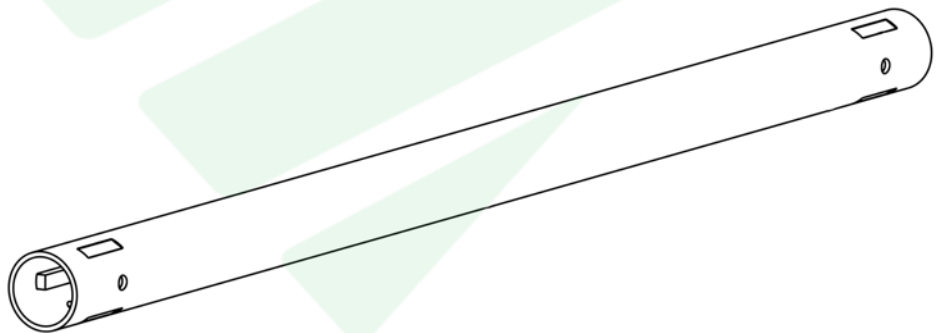
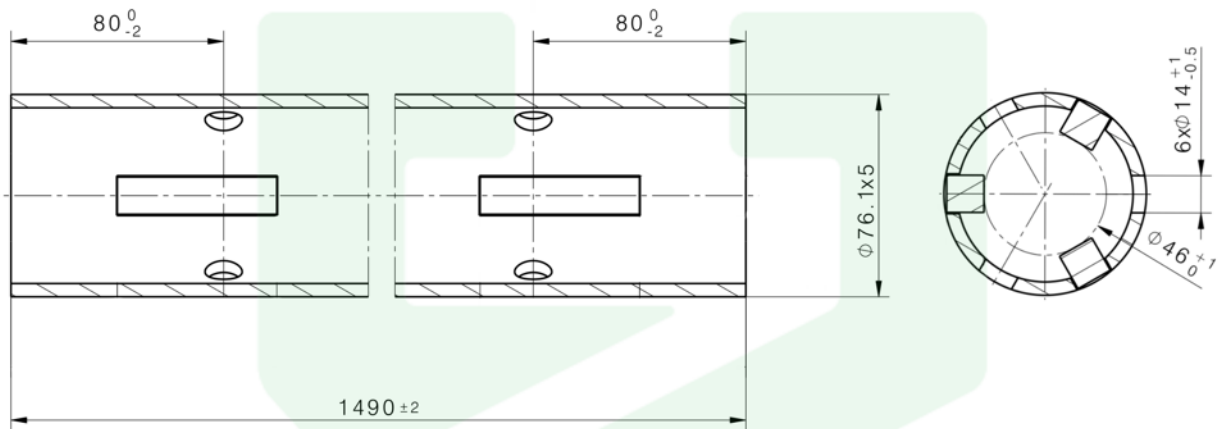
Product no.	57203
Weight	9,1 kg ^{+3%} -8% tolerance
Compatible	SCREWS 76x5 + 57500 PRM COUPLING + 6x BOLTS DIN 7380 M12 TOPS 76x5 + 3x BOLTS DIN 7380 M12
Materials	Steel S235
Surface	Hot-dip galvanized Steel, according to DIN EN ISO 1461
Installation	Ground screw installation mast, ground screw driver machine



TECHNICAL DATA SHEET

57204 PRM EXTENSION 76x5x1500

Product no.	57204
Weight	13,5 kg +3% -8% tolerance
Compatible	SCREWS 76x5 + 57500 PRM COUPLING + 6x BOLTS DIN 7380 M12 TOPS 76x5 + 3x BOLTS DIN 7380 M12
Materials	Steel S235
Surface	Hot-dip galvanized Steel, according to DIN EN ISO 1461
Installation	Ground screw installation mast, ground screw driver machine



TECHNICAL DATA SHEET

57205 PRM EXTENSION 76x5x2000

Product no. 57205

Weight 17,9 kg $+3\%$ -8% tolerance

Compatible SCREWS 76x5 + 57500 PRM COUPLING + 6x BOLTS DIN 7380 M12
TOPS 76x5 + 3x BOLTS DIN 7380 M12

Materials Steel S235

Surface Hot-dip galvanized Steel, according to DIN EN ISO 1461

Installation Ground screw installation mast, ground screw driver machine

