

TECHNICAL DATA SHEET

57302 PRM ROUND-200 TOP M16

Product no. 57302

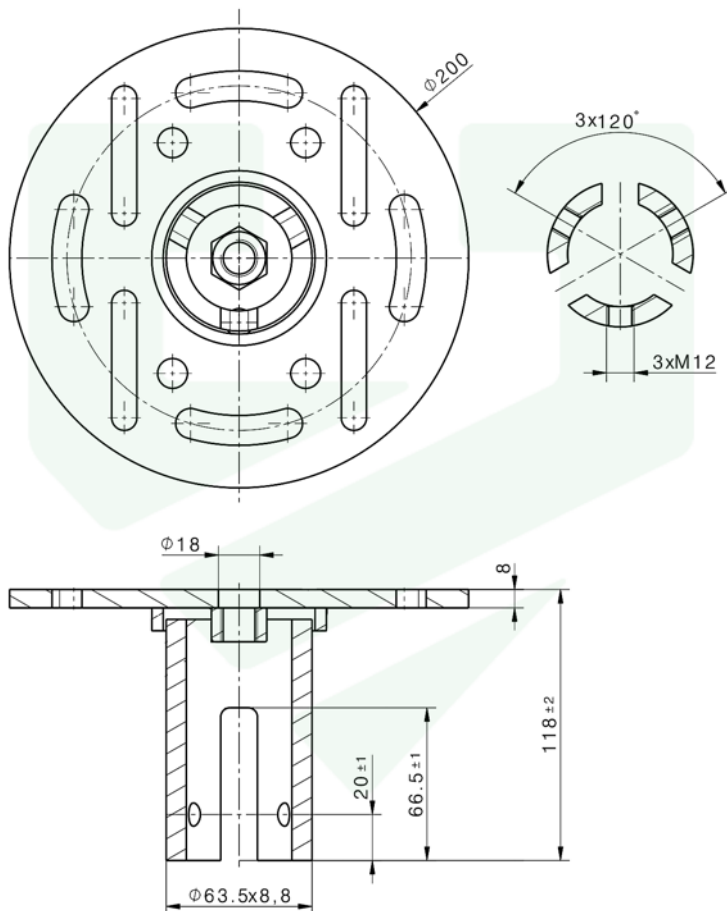
Weight 2,85 kg +3% -8% tolerance

Compatible SCREWS 76x5 + 3x BOLTS DIN 7380 M12
EXTENSIONS 76x5 + 3x BOLTS DIN 7380 M12
BOLT M16

Materials Steel S235

Surface Hot-dip galvanized Steel, according to DIN EN ISO 1461

Installation Ground screw installation mast, ground screw driver machine



TECHNICAL DATA SHEET

57301 PRM HEX-160 TOP M16

Product no. 57301

Weight 2,58 kg +3% -8% tolerance

Compatible SCREWS 76x5 + 3x BOLTS DIN 7380 M12
EXTENSIONS 76x5 + 3x BOLTS DIN 7380 M12
BOLT M16

Materials Steel S235

Surface Hot-dip galvanized Steel, according to DIN EN ISO 1461

Installation Ground screw installation mast, ground screw driver machine

